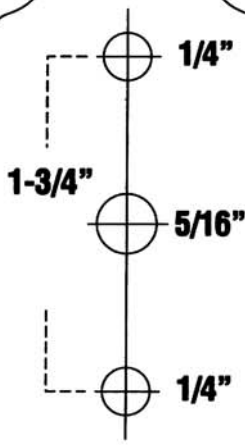


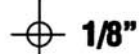
RFQDXB
**DX PULL HANDLE
INSTALLATION
TEMPLATE**

RFQDXB
**DX PULL HANDLE
INSTALLATION
TEMPLATE**

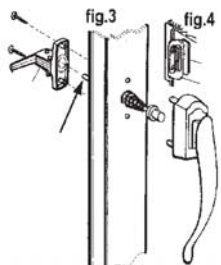


**IF BACK PLATE IS INCLUDED
IT MUST BE INSTALLED FIRST**

**IF BACK PLATE IS NOT INCLUDED
DO NOT DRILL
THIS HOLE**

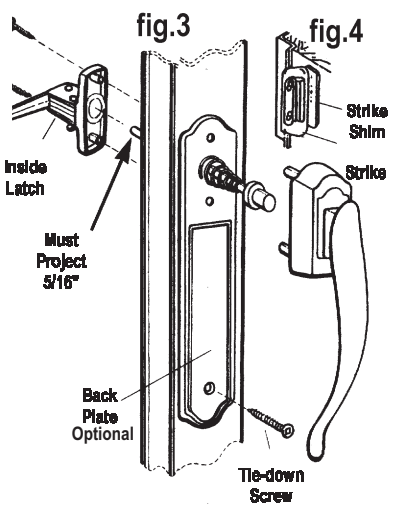
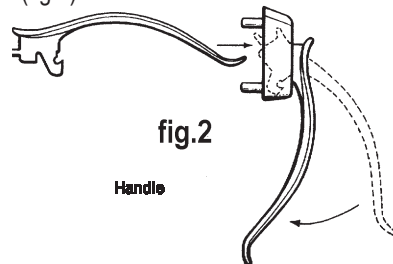


CAUTION!
DO NOT DRILL
RIGHT THROUGH
DOOR



ATTENTION: Mount outside handle on the exterior face of your door wherever you desire. Be sure to check that inside latch mechanism reaches strike plate and **does not** interfere with prime door hardware.

1. If **backplate is included** drill all four holes as indicated on template. If **no backplate** drill only top three holes.
2. Assemble handle to housing as shown in (fig.2)(if not already assembled)
3. Place spindle with spring attached as shown in fig.1 onto outside of door as shown in assembly view (fig.3)
4. Place DX Pull Handle onto outside of door. With handle on, the spindle must project 5/16" through inside of door (fig.3) and not touch mechanism of inside latch.
5. Fasten pull handle to inside latch with machine screws provided.
6. Attach latch strike (shim if necessary with plastic shims) with the 6x1" screws to wooden door jamb so strike firmly engages latch. (fig.4)

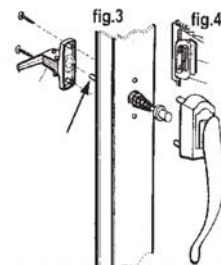


**IF BACK PLATE IS INCLUDED
IT MUST BE INSTALLED FIRST**

**IF BACK PLATE IS NOT INCLUDED
DO NOT DRILL
THIS HOLE**



CAUTION!
DO NOT DRILL
RIGHT THROUGH
DOOR



ATTENTION: Mount outside handle on the exterior face of your door wherever you desire. Be sure to check that inside latch mechanism reaches strike plate and **does not** interfere with prime door hardware.

1. If **backplate is included** drill all four holes as indicated on template. If **no backplate** drill only top three holes.
2. Assemble handle to housing as shown in (fig.2)(if not already assembled)
3. Place spindle with spring attached as shown in fig.1 onto outside of door as shown in assembly view (fig.3)
4. Place DX Pull Handle onto outside of door. With handle on, the spindle must project 5/16" through inside of door (fig.3) and not touch mechanism of inside latch.
5. Fasten pull handle to inside latch with machine screws provided.
6. Attach latch strike (shim if necessary with plastic shims) with the 6x1" screws to wooden door jamb so strike firmly engages latch. (fig.4)

