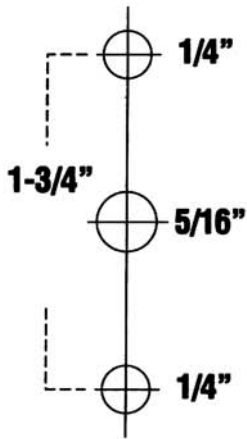
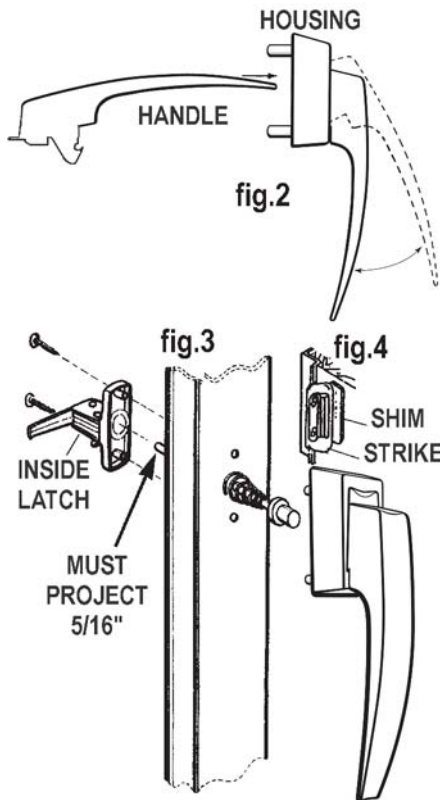


RFQVP  
**VP PULL HANDLE  
INSTALLATION  
TEMPLATE**



**ATTENTION:** Mount outside handle on the exterior face of your door wherever you desire. Be sure to check that inside latch mechanism reaches strike plate and **does not** interfere with prime door hardware.

1. After drilling installation holes, assemble handle to housing as shown in (fig.2)(if not already assembled)
2. Place spindle with spring attached as shown in fig.1 onto outside of door as shown in assembly view (fig.3)
3. Place VP Pull Handle onto outside of door. With handle on, the spindle must project 5/16" through inside of door (fig.3) and not touch mechanism of inside latch.
4. Fasten pull handle to inside latch with machine screws provided.
5. Attach latch strike (shim if necessary with plastic shims) with the 6x1" screws to wooden door jamb so strike firmly engages latch. (fig.4)



RFQVP  
**VP PULL HANDLE  
INSTALLATION  
TEMPLATE**



**ATTENTION:** Mount outside handle on the exterior face of your door wherever you desire. Be sure to check that inside latch mechanism reaches strike plate and **does not** interfere with prime door hardware.

1. After drilling installation holes, assemble handle to housing as shown in fig.2 (if not already assembled)
2. Place spindle with spring attached as shown in fig.1 onto outside of door as shown in assembly view (fig.3)
3. Place VP Pull Handle onto outside of door. With handle on, the spindle must project 5/16" through inside of door (fig.3) and not touch mechanism of inside latch.
4. Fasten pull handle to inside latch with machine screws provided.
5. Attach latch strike (shim if necessary with plastic shims) with the 6x1" screws to wooden door jamb so strike firmly engages latch. (Fig.4)

